

 Home Network & Security



 Home Network & Security



**Home security & Safely solution**

- Check of visitors to the door and the lobby
- Emergency alarms for intrusions and fires
- Video recording of visitors while you are away



The Eco mark represents Samsung Techwin's will to create environment-friendly products, and indicates that the product satisfies the EU RoHS Directive.

Design and specifications are subject to change without notice.



**SAMSUNG TECHWIN CO., LTD.**

701, Sampyeong-dong, Bundang-gu, Seongnam-si, Gyeonggi-do Korea 463-400  
Tel : +82-70-7147-8741 ~ 8749, 8752-8760 Fax : +82-31-8018-3745  
www.samsungsecurity.com www.samsungcctv.com

**SAMSUNG TECHWIN AMERICA Inc.**

1480 Charles Millard St, Carson, CA 90746, UNITED STATES  
Tel Free : +1-877-213-1222 Fax : +1-310-632-2195  
www.samsungcctvusa.com

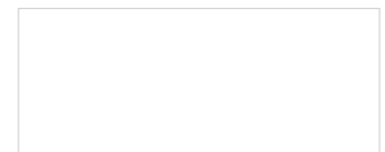
**SAMSUNG TECHWIN EUROPE LTD.**

Samsung House, 1000 Hillwood Drive, Hillwood Business Park  
Chertsey, Surrey, UNITED KINGDOM KT16 0PS  
Tel : +44-1932-45-5300 Fax : +44-1932-45-5325

**TIANJIN SAMSUNG TECHWIN OPTO-ELECTRONICS CO., LTD.**

No.11 Weil 6 Street, Micro-Electronic Industrial Park  
Jingang Road, Tianjin, P.R. CHINA 300385  
Tel : +86-22-23887788 Fax : +86-22-23887788

■ DISTRIBUTED BY



I.E-1006



# Video Door Phone

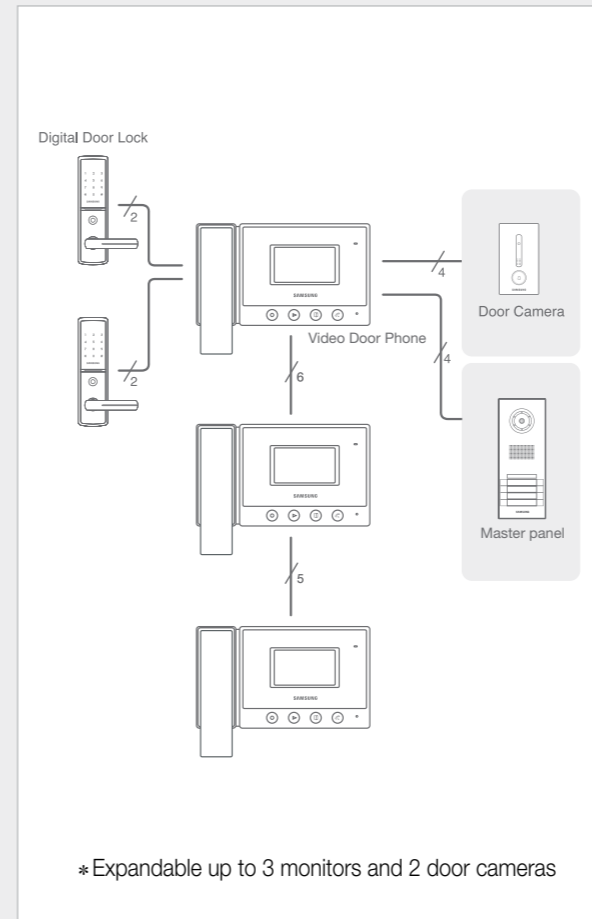


## SVD-4332/4332W

- 4.3" Color Digital LCD
- Door answering & monitoring
- Door Release(common, Households)
- Intercom call between a video monitor and a sub audio handset
- Visitor's image save

# Video Door Phone

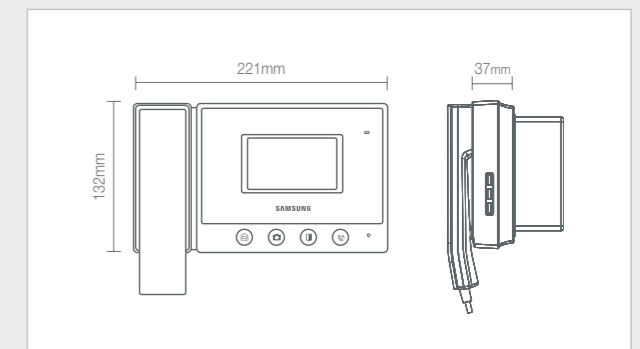
## System Configuration



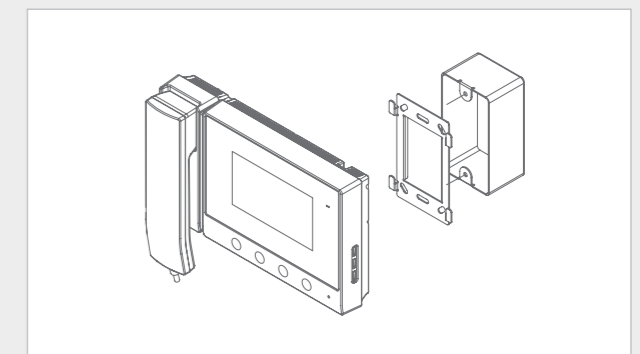
## Compatible Products

Description	Model No.
	SVC-0271M
Door Camera	SVC-0271P
	SVC-0270P
Master Panel	SVM-0200/0400/0600/0800

## Dimensions



## Mounting Diagram



## Specifications

Power	AC100 ~ 240V, 50/ 60Hz
Display	4.3" Color Digital LCD
Dimension	221 X 132 X 37mm (W×H×D)
Installation	Wall mounting type
Communication method	Handset and hands-free type

# Video Door Phone

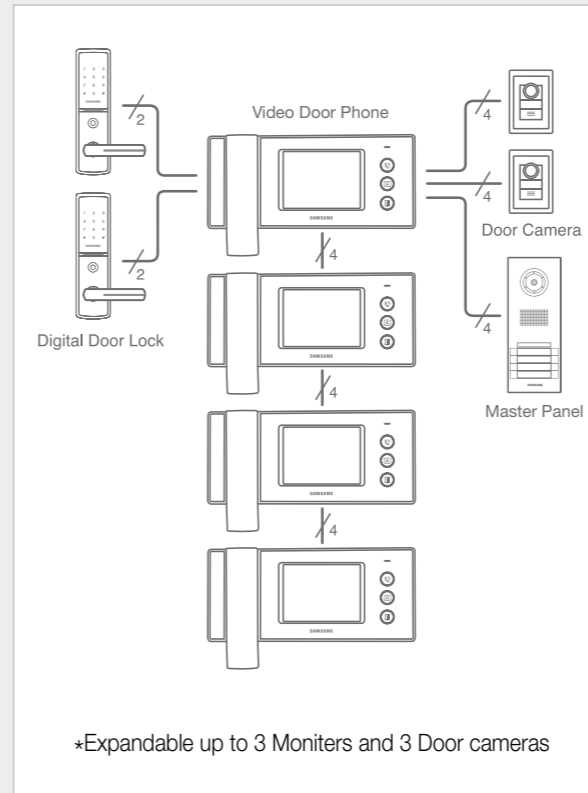


## SVD-5033/5033W SVD-5012/5012W

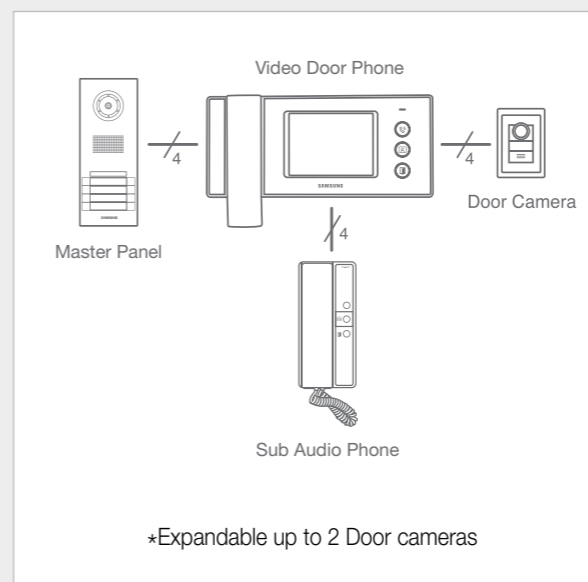
- 5" Color TFT LCD
- Door answering & monitoring
- Door Release (common, Households)
- Intercom call between a video monitor and a sub audio handset

# Video Door Phone

## System Configuration (SVD-5033)



## System Configuration (SVD-5012)



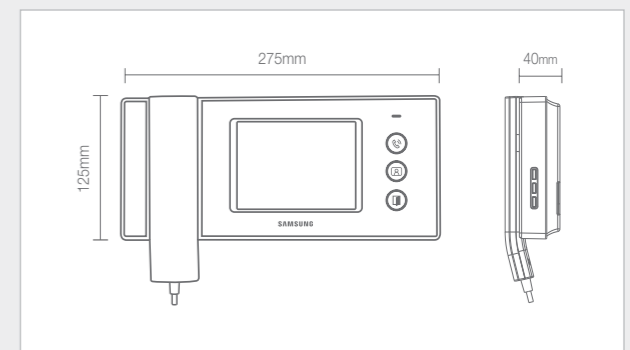
## Specifications

Power	AC100 ~ 240V, 50/ 60Hz
Display	5" Color TFT LCD
Dimension	275 X 125 X 40mm(W x H x D)
Weight	1.2Kg
Installation	Wall mounting type
Communication method	Handset Communication

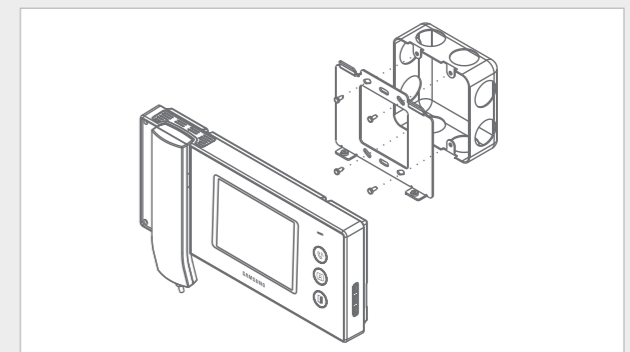
## Compatible Products

Description	Model No.
	SVC-0271M
Door Camera	SVC-0271P SVC-0270P
Sub Audio Phone	SVS-0001 (SVD-5012)
Master Panel	SVM-0200/0400/0600/0800

## Dimensions



## Mounting Diagram



# Video Door Phone

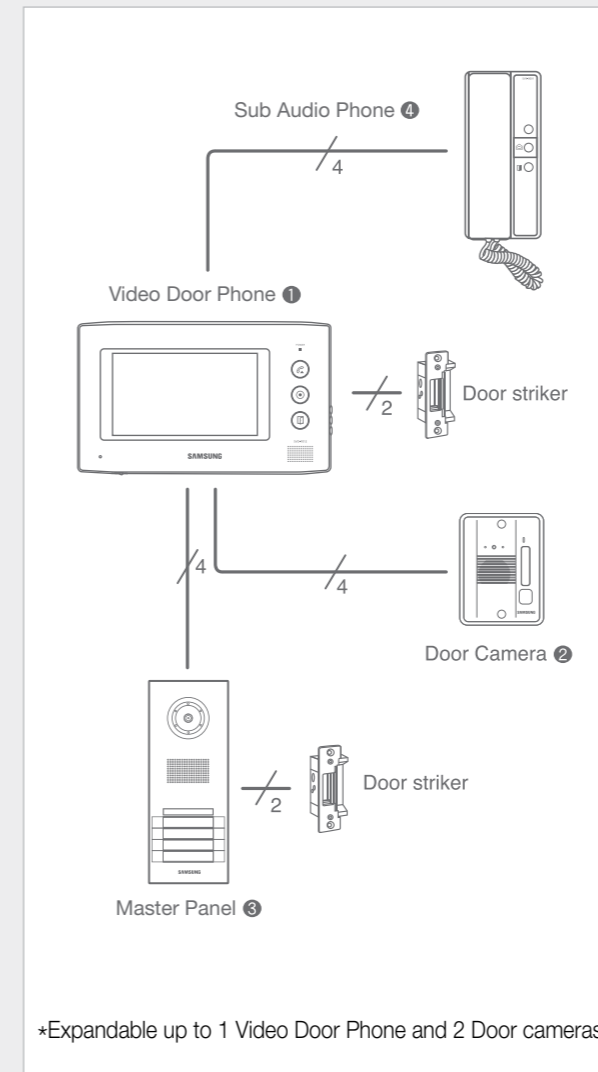


## SVD-7012

- 7" Wide Color TFT LCD
- Door answering & monitoring
- Door Release(common, Households)
- Intercom call between a video monitor and a sub audio handset

# Video Door Phone

## System Configuration



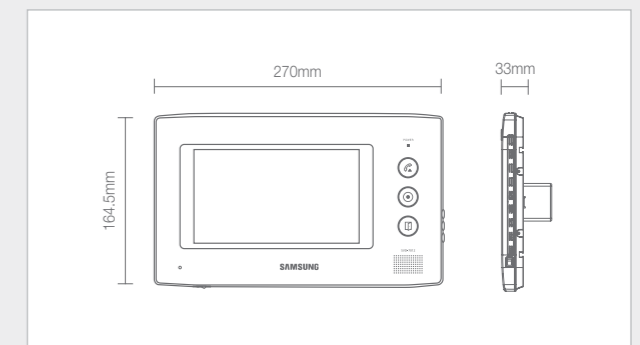
## Specifications

Power	AC100~240V, 50/ 60Hz
Display	7" Wide Color TFT LCD
Dimension	270 X 164.5 X 33mm(W x H x D)
Weight	900g
Installation	Wall mounting type
Communication method	Hands-free type

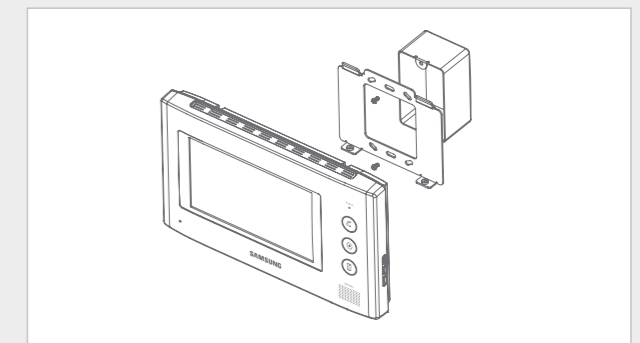
## Compatible Products

Description	Model No.
Door Camera	SVC-0271M SVC-0271P SVC-0270P
Sub Audio Phone	SVS-0001
Master Panel	SVM-0200/0400/0600/0800

## Dimensions



## Mounting Diagram



# Video Door Phone

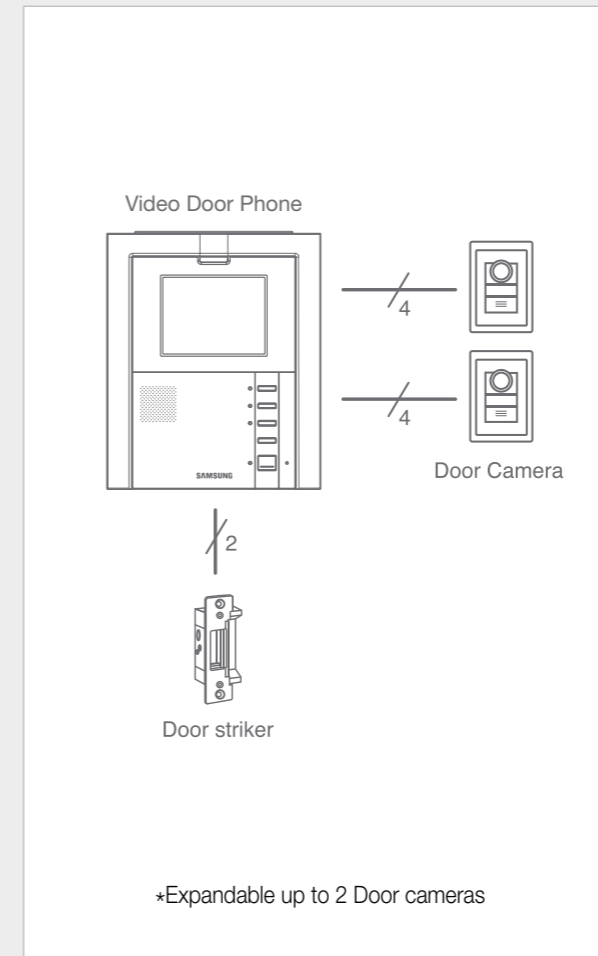


## SVD-5002

- 5" Color TFT LCD
- Door answering & monitoring
- Door Release(common, Households)

# Video Door Phone

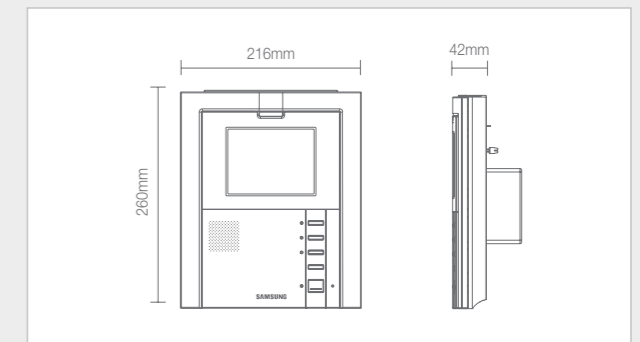
## System Configuration



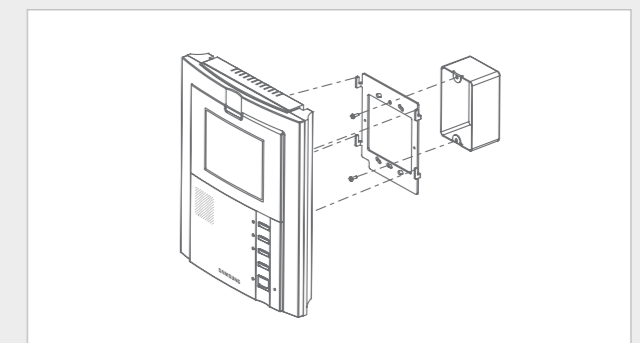
## Compatible Products

Description	Model No.
Door Camera	SVC-0271M
	SVC-0271P
	SVC-0270P
Master Panel	SVM-0200/0400/0600/0800

## Dimensions








## Mounting Diagram



## Specifications

Power	AC100~240V, 50/ 60Hz
Display	5" Color TFT LCD
Dimension	216 X 260 X 42mm(W×H×D)
Weight	1.2kg
Installation	Wall mounting type
Communication method	Hands-free type

# Product List

	Video Door Phone				
	SVD-4332/4332W	SVD-5033/5033W	SVD-5012/5012W	SVD-7012	SVD-5002
Model					
Display	4.3" Color Digital LCD	5" Color LCD	5" Color LCD	7" Wide Color LCD	5" Color LCD
Hands Type	Set/Free	Set	Set	Free	Free
Door Release	Common / Households	Common / Households	Common / Households	Common / Households	Common / Households
Camera expandable	2	3	2	2	2
Intercommunication (Households)	0	0	0	0	X
Installation	Wall mounting	Wall mounting	Wall mounting	Wall mounting	Wall mounting
Pubilc Area	Master panel	Master panel	Master panel	Master panel	Master panel
Image Save	128cuts	-	-	-	-

# Optional Products

## Master Panel



**Color master multi panel**  
**SVM-0200 (2 Button)**  
**SVM-0400 (4 Button)**  
**SVM-0600 (6 Button)**  
**SVM-0800 (8 Button)**

- Door Access control
- Call to Households

### Compatible Products

Main Monitor
SVD-4332
SVD-5033
SVD-5012
SVD-7012
SVD-5002

### Specifications

Contents	Description
Power	DC 12V,330mA(Max)
Lens	1/3" Color(270k Pixel)
Power consumption	230mA
Dimension	123x308x18mm(WXHxD)
Installation	Flush mounting type
IP rate	IP43
Communication method	Hands-free type

## Extension



**Expander of Master main entrance camera**  
**SVE-0400 (4 Button)**  
**SVE-0800 (8 Button)**  
**SVE-1200 (12 Button)**  
**SVE-1600 (16 Button)**  
**SVE-2000 (20 Button)**  
**SVE-2400 (24 Button)**

## Door Camera



**SVC-0270P**

- Plastic Color Door Camera

### Compatible Products

Video Door Phone
SVD-4332
SVD-5033
SVD-5012
SVD-7012
SVD-5002

### Specifications

Item	Contents	Description
Power	Lens	DC 12V,150mA(Max)
Camera	Lens	1/3" Color (270k Pixel)
	Power consumption	90mA (MAX)
Mainbody	Dimension	92 x 136 x 12mm(WXHxD)
	IP rate	IPX1

**SVC-0270M SVC-0271M**



- Metal (Anti-vandal) Color Door Camera

### Compatible Products

Video Door Phone
SVD-4332
SVD-5033
SVD-5012
SVD-7012
SVD-5002

### Specifications

Item	Contents	Description
Power	Input power	DC 12V,150mA(Max)
Camera	Lens	1/3" Color Pinhole (270k Pixel)
	Power consumption	90mA (MAX)
Mainbody	Dimension	SVC-0270M : 97x130x24mm(WXHxD) SVC-0271M : 74x133x10mm(WXHxD)
	IP rate	IPX3

## Sub Audio Phone



**SVS-0001**

- Door answering
- Door Release(Households)
- Intercommunication(Households)

### Compatible Products

Video Door Phone
SVD-5012
SVD-7012

### Specifications

Contents	Description
Power	DC 12V, 290mA
Dimension	99 x 216 x 60mm(WXHxD)
Weight	500g